

## GENERAL INFORMATION

Project Name: \_\_\_\_\_

## DESCRIPTION

Stealth® warmers are created with a high-efficiency design, meaning less heat escapes out the top and more heat is directed down on the work surface. The internally integrated aluminum heat sink results in a 15-20% cooler outer housing surface (touch temperature) than the competition, as well as 20% higher direct heat output than the industry standard.

The clean, slim profile and simple mounting hardware allow your food to be the focus and subtly integrate into your overall design.

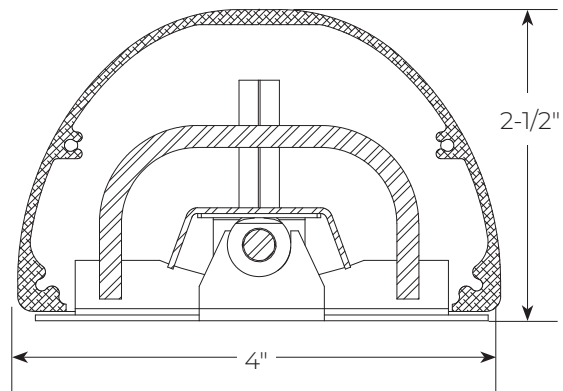
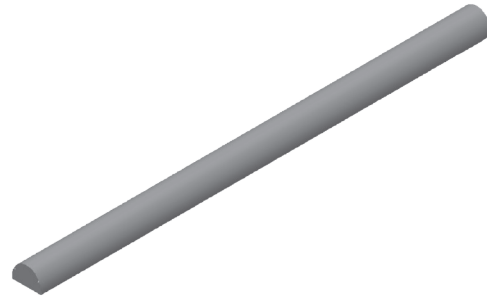
Engineered for ease of use, Stealth's smooth outer housing is both attractive and easy to clean. Simply wipe down the surface to maintain the reflector efficiency — no dirty wire grill to clean around or collect debris.

Custom lengths available from 22" to 82" in single heater units and unlimited lengths in multiple heater combinations.

UL tested and certified to UL Standard. 197.

790

Stealth® Warmer



### \* Approval Drawings Required

Specifications subject to change without notice.



06.22

## SWITCH OPTIONS

- Remote Infinite (standard)     Remote Switch
- Indicator Light                       Internal Control

## WIRING EXIT POINT OPTIONS

- Top     Left Side
- Right Side

## STANDARD NSF - LISTED FINISH OPTIONS

- Grey (standard)                           Gloss Black
- Brushed Aluminum                       Gloss Black
- Smoked Copper                           Polished Brass Finish
- Wrinkle Black

Other NSF-approved colors are available. Contact BSI for details.

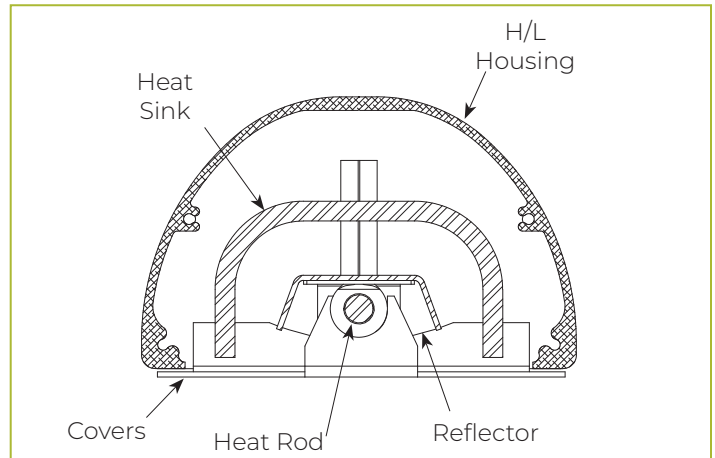
Light/Warmer housing is an aluminum extrusion. The housing for warmers is only available in grey or gloss black. Please contact BSI for further information.

MODEL NUMBER	OA HOUSING	VOLTS	FREQ.	AMPS @110V	WATTS
790-120-18	22"-27"	120	50/60Hz	2.9	350
790-120-24	28"-33"	120	50/60Hz	4.2	500
790-120-30	34"-39"	120	50/60Hz	5.5	660
790-120-36	40"-45"	120	50/60Hz	6.7	800
790-120-42	46"-51"	120	50/60Hz	7.9	950
790-120-48	52"-57"	120	50/60Hz	9.2	1100
790-120-54	58"-63"	120	50/60Hz	10.4	1250
790-120-60	64"-69"	120	50/60Hz	11.7	1400
790-120-66	70"-75"	120	50/60Hz	13.0	1560
790-120-72	76"-81"	NOT AVAILABLE IN 120 VOLTS			

Wiring diagrams for Stealth® warmers can be found at the end of the Lights and Warmers section.

## 790

### Stealth® Warmer



MODEL NUMBER	OA HOUSING	VOLTS	FREQ.	AMPS @110V	WATTS
790-208-18	22"-27"	NOT AVAILABLE IN 208 VOLTS			
790-208-24	28"-33"	208	50/60Hz	2.4	500
790-208-30	34"-39"	208	50/60Hz	3.2	660
790-208-36	40"-45"	208	50/60Hz	3.9	800
790-208-42	46"-51"	208	50/60Hz	4.6	950
790-208-48	52"-57"	208	50/60Hz	5.3	1100
790-208-54	58"-63"	208	50/60Hz	6.0	1250
790-208-60	64"-79"	208	50/60Hz	6.7	1400
790-208-66	70"-75"	208	50/60Hz	7.5	1560
790-208-72	76"-81"	208	50/60Hz	8.3	1725

MODEL NUMBER	OA HOUSING	VOLTS	FREQ.	AMPS @110V	WATTS
790-240-18	22"-27"	NOT AVAILABLE IN 240 VOLTS			
790-240-24	28"-33"	240	50/60Hz	2.1	500
790-240-30	34"-39"	240	50/60Hz	2.8	660
790-240-36	40"-45"	240	50/60Hz	3.3	800
790-240-42	46"-51"	240	50/60Hz	3.9	950
790-240-48	52"-57"	240	50/60Hz	4.6	1100
790-240-54	58"-63"	240	50/60Hz	5.2	1250
790-240-60	64"-69"	240	50/60Hz	5.8	1400
790-240-66	70"-75"	240	50/60Hz	6.5	1560
790-240-72	76"-81"	240	50/60Hz	7.2	1725